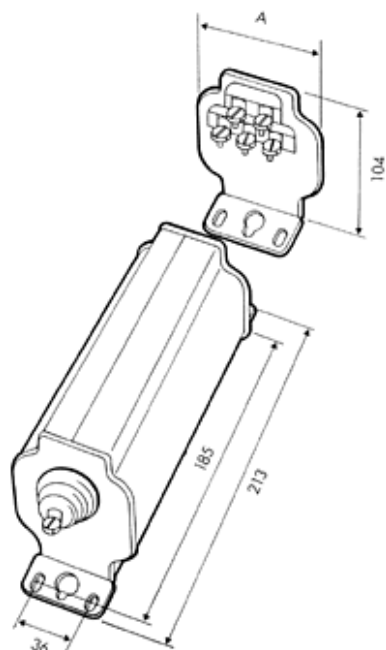
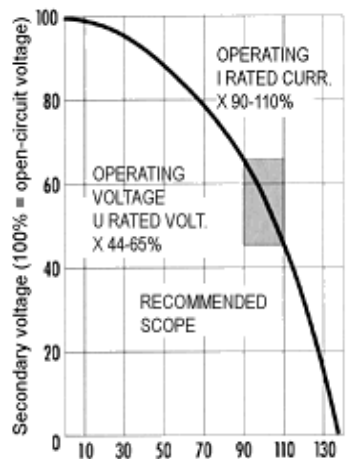


Type	dim A (mm)	Primary /230 V, 50 Hz) cos phi 0.55		Condenser μF	Secondary		Weight kg	Package	
		output/VA	current/A		voltage/V	current/mA		pcs	kg
N 25/2.5 SE	67	81	0.35	3.0	2500	25	3.2	6	19.5
N 25/3.2 SE	67	104	0.45	4.0	3200	25	3.2	6	19.5
N 25/4 SE	67	130	0.57	6.3	4000	25	3.2	6	19.5
N 25/5 SE	72	163	0.71	8.0	5000	25	3.5	5	18.0
N 40/2.5 SE	67	130	0.57	6.3	2500	40	3.2	6	19.5
N 40/3.2 SE	72	166	0.72	8.0	3200	40	3.5	5	18.0
N 40/4 SE	72	208	0.90	8.0	4000	40	3.6	5	18.5
N 40/5 SE	81	260	1.13	10.0	5000	40	4.3	4	17.5
N 50/2.5 SE	72	163	0.71	8.0	2500	50	3.5	5	18.0
N 50/3.2 SE	72	208	0.90	8.0	3200	50	3.6	5	18.5
N 50/4 SE	81	260	1.13	10.0	4000	50	4.3	4	17.5
N 63/2.5 SE	72	205	0.89	8.0	2500	63	3.6	5	18.5
N 63/3.2 SE	81	262	1.14	10.0	3200	63	4.3	4	17.5


CHARACTERISTIC CURVE OF NEON TRANSFORMER

Ratio between secondary current and voltage with tube load


 Secondary current (100% = rated current)
 — Tube load

Rated voltage/V	Recommended operating voltage/V
2500	1100-1625
3200	1408-2080
4000	1760-2600

5000

2200-3250

Rated current/mA	Recommended operating current/mA	Short-circuit current/mA
25	22.5-27.5	34
40	36.0-44.0	55
50	45.0-55.0	68
63	56.7-65.3	85